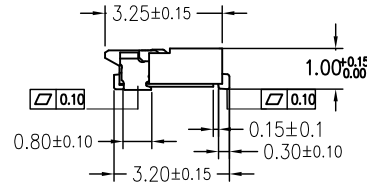
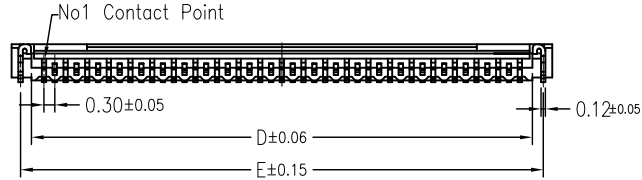
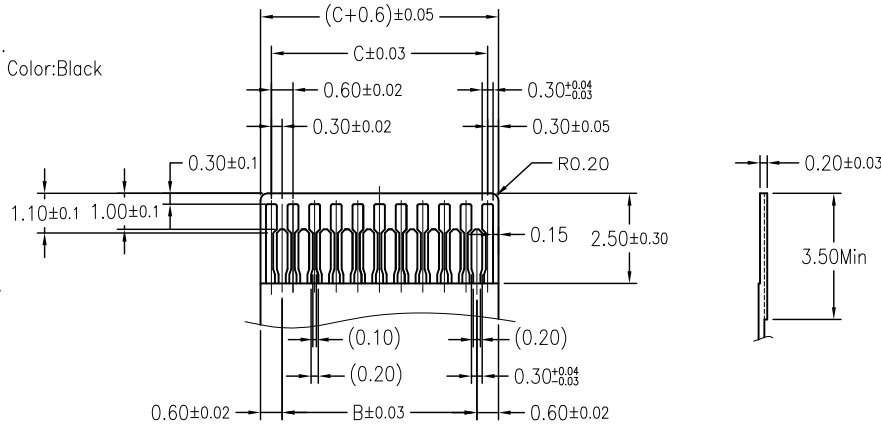


FPC/FFC Insert Direction
Recommended P.C.B Layout



Number of Contacts	Dimension				
	A	B	C	D	E
11	4.80	2.40	3.00	3.65	4.30
13	5.40	3.00	3.60	4.25	4.90
15	6.00	3.60	4.20	4.85	5.50
17	6.60	4.20	4.80	5.45	6.10
19	7.20	4.80	5.40	6.05	6.70
21	7.80	5.40	6.00	6.65	7.30
23	8.40	6.00	6.60	7.25	7.90
25	9.00	6.60	7.20	7.85	8.50
27	9.60	7.20	7.80	8.45	9.10
29	10.20	7.80	8.40	9.05	9.70
31	10.80	8.40	9.00	9.65	10.30
33	11.40	9.00	9.60	10.25	10.90
35	12.00	9.60	10.20	10.85	11.50
37	12.60	10.20	10.80	11.45	12.10
39	13.20	10.80	11.40	12.05	12.70
41	13.80	11.40	12.00	12.65	13.30
45	15.00	12.60	13.20	13.85	14.50
49	16.20	13.80	14.40	15.05	15.70
51	16.80	14.40	15.00	15.65	16.30

- Note:
- Material
 - Housing: LCP UL94-V0 Color:Natural.
 - Actuator: High Temperature UL94-V0 Color:Black
 - Contact: Phosphor Bronze.
 - LEG: Phosphor Bronze.
 - Plating
 - Contact: See Part Number.
 - LEG: Matte Tin Plating Over Nickel.
 - Rating:
 - Operating Voltage: 30V AC/DC.
 - Current Rating: 0.2A AC/DC.
 - Operating Temperature: -55°C~+85°C.



Applicable FPC

本产品符合 RoHS SONY00259 HF 其他
※禁止使用本公司所禁用有毒物质

UNITS mm	易芯精密科技(浙江)有限公司 Easychips Precision Technology (Zhejiang) Co., Ltd.		
MAT'L	PART NO.(INTENDED USE) EC-0310-nRL-GF H1.0	TITLE: 0.3mm FPC 翻盖H1.0 产品图	
FINISH	APPD:	DWG NO.:	
Q'TY	CHKD:	EC-0310-nRL-GF H1.0	
DR:	HU 2021.06.10	SCALE	SHEET
		1/1	1/1
		REV.	A

X ± 0.3	X° ± 5°
.X ± 0.25	.X° ± 2°
.XX ± 0.20	.XX° ± 1°
.XXX ± 0.10	.XXX° ± 0.5°

PCS